



GATOR GRIP FORKLIFT DRUM GRAB

400 KG CAPACITY

MODEL NO: **DG06**

Thank you for purchasing a Sealey product. Manufactured to a high standard, this product will, if used according to these instructions, and properly maintained, give you years of trouble free performance.

IMPORTANT: PLEASE READ THESE INSTRUCTIONS CAREFULLY. NOTE THE SAFE OPERATIONAL REQUIREMENTS, WARNINGS & CAUTIONS. USE THE PRODUCT CORRECTLY AND WITH CARE FOR THE PURPOSE FOR WHICH IT IS INTENDED. FAILURE TO DO SO MAY CAUSE DAMAGE AND/OR PERSONAL INJURY AND WILL INVALIDATE THE WARRANTY. KEEP THESE INSTRUCTIONS SAFE FOR FUTURE USE.



Refer to instruction manual



Wear protective gloves



Wear safety footwear

1. SAFETY

- ✓ Forklift trucks should only be used by fully trained personnel.
- ✗ **DO NOT** use if damaged.
- ✗ **DO NOT** load more than one drum.
- ✗ **DO NOT** use on drums with removable tops.
- ✗ **DO NOT** overload - maximum capacity is 400kg.
- ✗ **DO NOT** allow people to ride on the product when fitted to forklift.
- ✗ **DO NOT** leave a drum suspended for longer than necessary.
- ✗ **DO NOT** use for any other purpose than that for which is was designed.
- ✗ **DO NOT** allow untrained persons to operate the lifting hoist.
- ✗ **DO NOT** climb on the forks or unit.
- ✓ Whilst operating the forklift ensure a safe distance from any other personnel.
- ✓ When not in use, store in a safe, dry, childproof area.
- ☐ **WARNING!** Failure to comply with these instructions may result in loss of load, damage to property and/or personal injury.

2. INTRODUCTION

Manufactured from heavy-duty steel. Fitted with automatic grip lock to ensure maximum grip is maintained over rough terrain. Features suspension system to ensure safety. Suitable for use with 205ltr steel drums. Unit attaches to most forklifts and is secured using 2 heavy-duty fixing bolts.

3. SPECIFICATION

Model No:.....DG06
 Capacity:..... 400kg
 Drum Size:..... 205ltr
 Fork Opening:..... 560mm
 Overall Size (L x W x H):..... 710x660x730mm
 Weight:..... 60kg

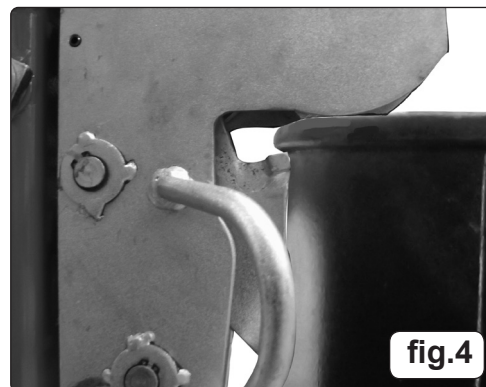
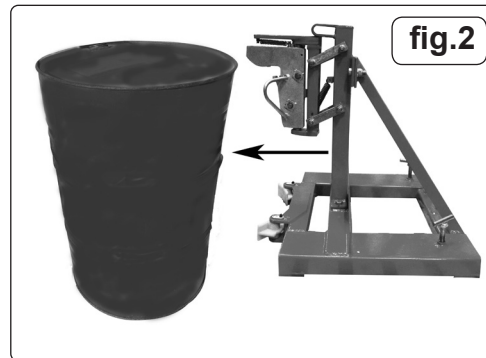
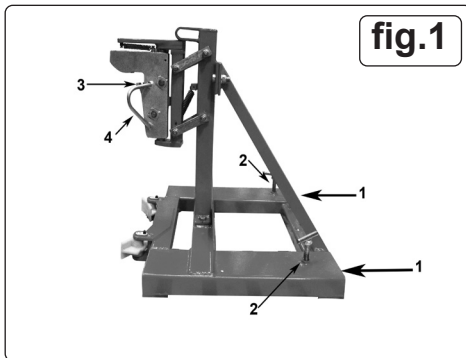
4. OPERATION

4.1. FITTING THE GATOR GRIP ONTO A FORKLIFT TRUCK.

- **WARNING!** Ensure that the jaw faces remain clean and free of any lubricant.
- 4.1.1. Ensure the forklift truck's forks are the correct distance apart to fit into the Drum Grab.
- 4.1.2. Drive forklift forwards so that forks enter the channels in the base of the Drum Grab (fig.1.1) and continue forwards until the forks are fully inserted.
- 4.1.3. Tighten down fully the 2 large T-Bar tightening bolts (fig.1.2).

4.2. PICKING UP A DRUM USING THE DRUM GRAB.

- 4.2.1. Drive the forklift slowly towards drum to be picked up, as in fig.2, ensuring the lower grab jaw (fig.1.3) is just below the rim of the drum (fig.4). Slight misalignment will be accommodated by the guides (fig.1.4) steering the head assembly into the correct alignment.
 - 4.2.2. Raising the Drum Grab with the lower jaw under the rim will cause the drum to tilt slightly, causing the jaw to swing out as in fig.3 and nip the rim against the upper jaw, suspending the drum (fig.4).
 - **WARNING!** Before moving the drum, check that the jaws of the Gator Grip are fully engaged with the drum lip and that the drum lip material is not rusted, damaged or weakened.
 - 4.2.3. Continue to raise the forks to lift drum from ground.
- ### 4.3. RELEASING A DRUM.
- 4.3.1. Lowering the forks will cause the drum to stand upright, releasing the lower jaw and freeing the drum.



5. MAINTENANCE

- 5.1. Lubricate all pivot points regularly but ensure the jaw faces remain free of lubricant.
- 5.2. When not in use store in a safe location where the head assembly is protected from accidental damage.



ENVIRONMENT PROTECTION

Recycle unwanted materials instead of disposing of them as waste. All tools, accessories and packaging should be sorted, taken to a recycling centre and disposed of in a manner which is compatible with the environment. When the product becomes completely unserviceable and requires disposal, drain any fluids (if applicable) into approved containers and dispose of the product and fluids according to local regulations.



Note: It is our policy to continually improve products and as such we reserve the right to alter data, specifications and component parts without prior notice.

Important: No Liability is accepted for incorrect use of this product.

Warranty: Guarantee is 12 months from purchase date, proof of which is required for any claim.

Jack Sealey Ltd t/a Sealey Group, Kempson Way, Suffolk Business Park, Bury St Edmunds, Suffolk, IP32 7AR UK
Jack Sealey (EU) Ltd t/a Sealey Group, Farney Street, Carrickmacross, Co. Monaghan, A81 PK68 Ireland
Tel: 01284 757500 • Email: sales@sealey.co.uk • Web: www.sealey.co.uk